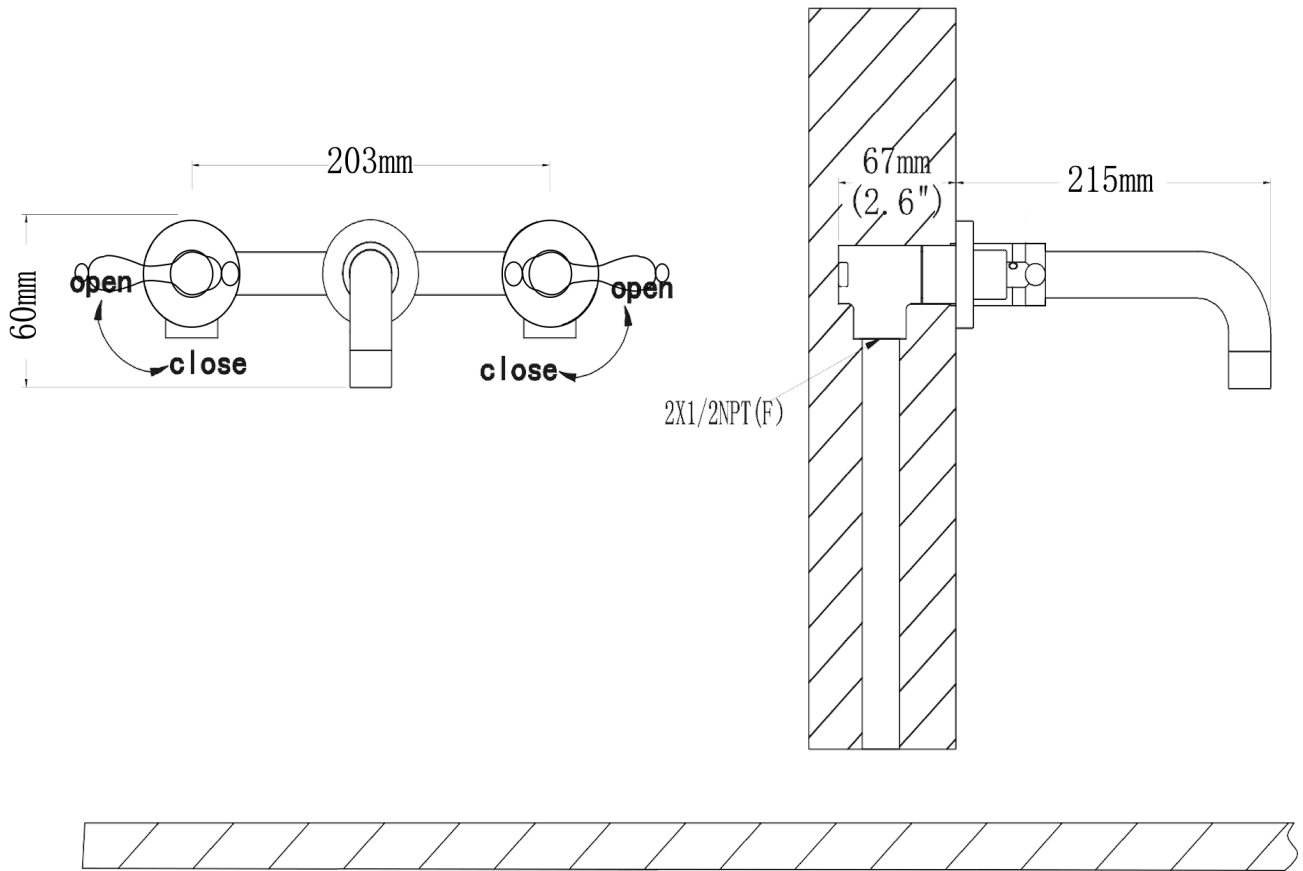


Installation guide

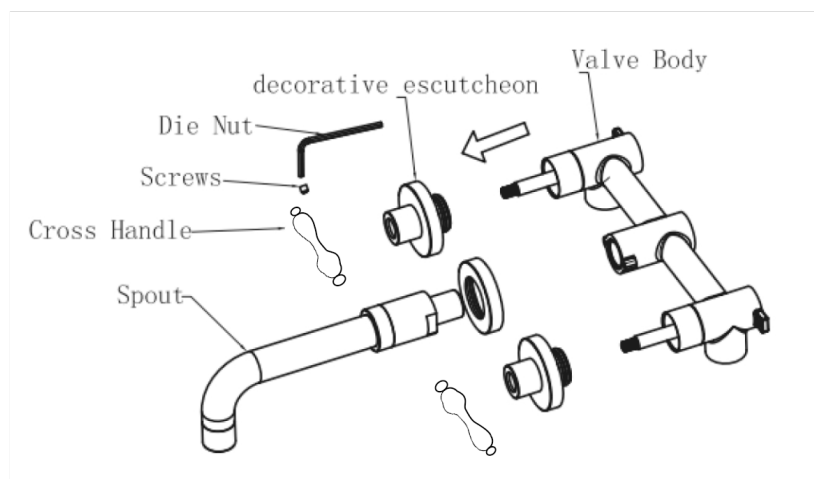
Faucet Specification



The picture is for reference only.

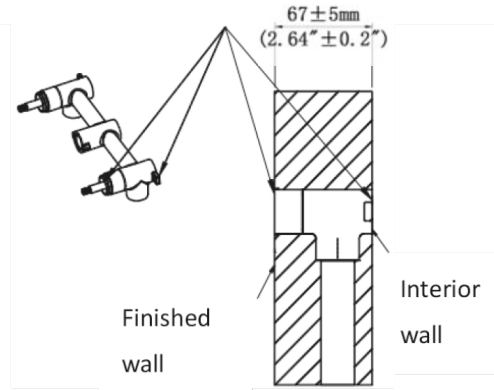
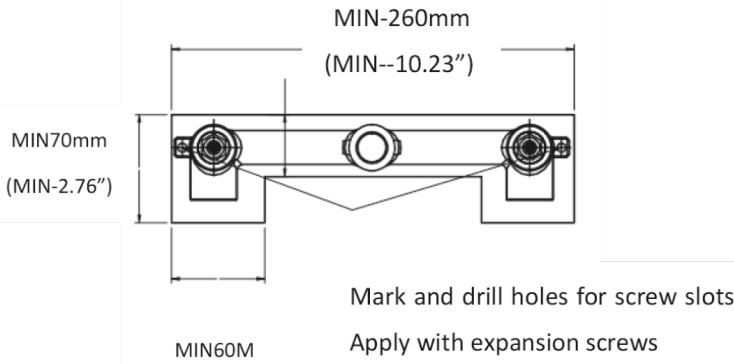
INSTALL THE FAUCET

Step1. Take apart the faucet by using die nut to disassemble the screws of two cross handles and decorative escutcheons, lay the parts aside.

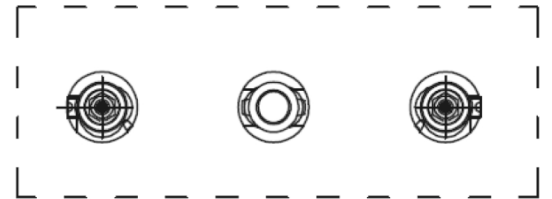
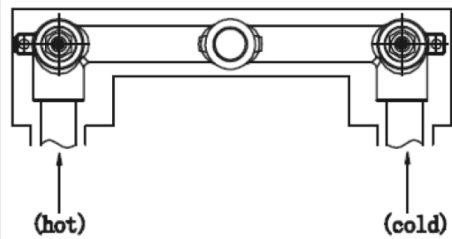


Step2. Mount the valve body into its prepared location. Mark and drill holes for prepared screw slots. Fix and tighten the valve body with expansion screw bolts on the wall. Use a level to ensure that the valve body is mounted straight

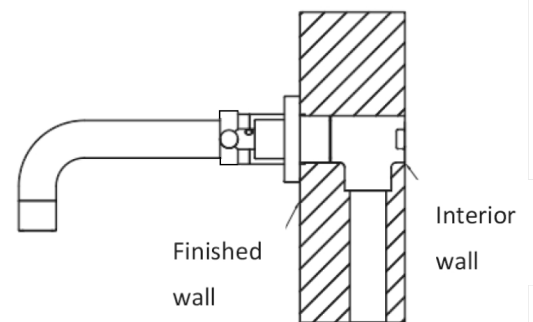
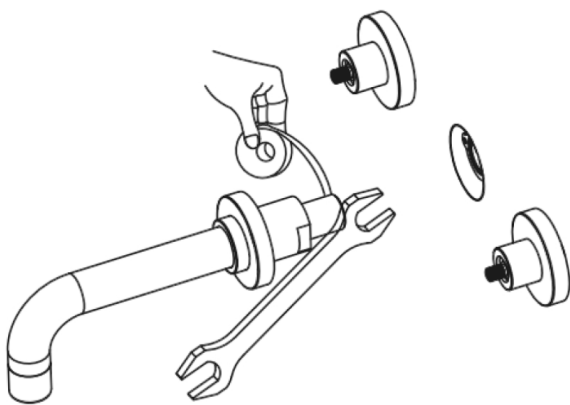
The valve body is flat with the interior wall
The surface of the tube is flat with the finished wall



Spet3. Attach the hot and cold handles to the valve stems, as shown. Ensure that the hot handle is on the left and the cold is on the right.



Step4. Attach the spout to the installed valve body first, and then apply sealing glue to the threaded connection to ensure a water seal. Make sure you thread each escutcheon on to each stem and tighten the screws underneath to secure.



Step5. When you installation is complete,turn on the main water supply.Remove the aerator from the spout. Turn the water on allow any dust or loose sediment to clean the system. Allow the water to flow through the spout for approximately 60 seconds and verify that hot and cold water are running properly. Reattach the aerator once testing is complete. Regular remove and clean the faucet aerator is extremely important to make sure you receive highest-quality water.

