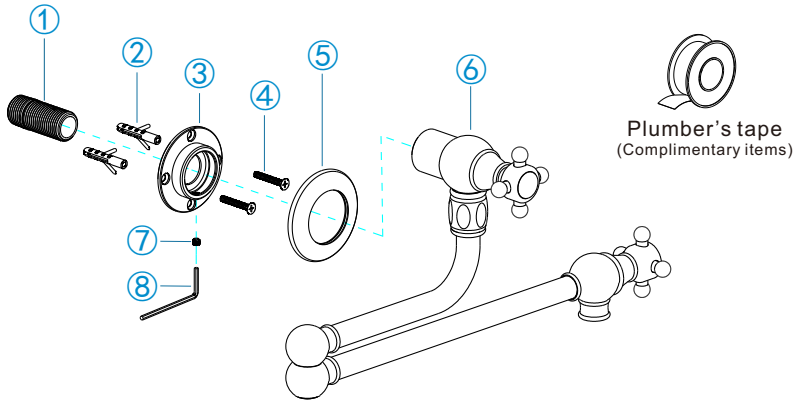


# HIGH-QUALITY

## FAUCETS

# INSTALLATION GUIDE

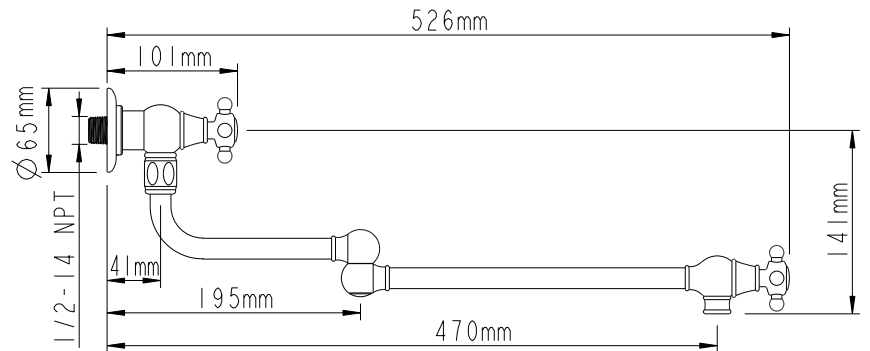
### SERVICE PARTS:



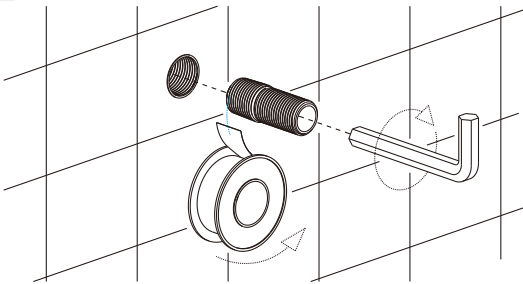
No.	DESCRIPTION
1	Straight joint (NPT to NPSM)
2	Plastic plug
3	Base
4	Self-tapping screw
5	Cover
6	Tap
7	Hex socket screw
8	Hex bar

### NOTES AND DIMENSIONS:

1. Please check that all components and tools are present.
2. Before installation ensure that all feed lines are clear of debris and on/off valve is present.
3. Ensure water pressure is between 20~125 PSI. (includes combination of hot and cold feed lines)
4. Pictures in the manual are general in content and may not represent exactly your purchased faucet. If you are having difficulties please contact a professional plumber.
5. If you will be away from home for an extended period you should shut off the main water supply.

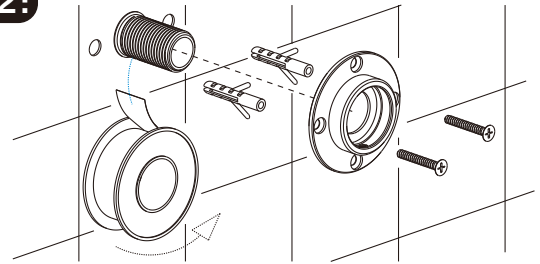


#### Step 1:



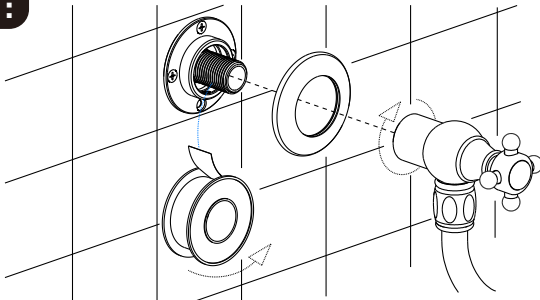
Wrap the shorter end of the joint with the plumber's tape for 18 ~ 20 turns (more is better), then screw the joint into the wall and tighten with a 10mm hex bar.

#### Step 2:



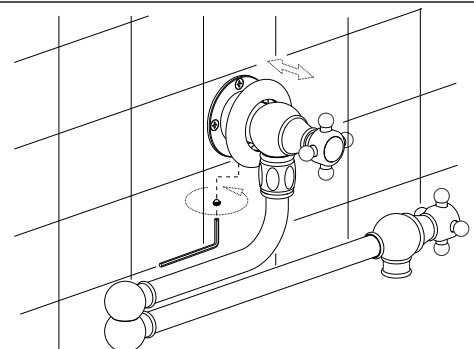
Select 6mm drill bit and fix the plastic plugs in the wall with a impact drill, and be careful not to damage the hidden pipe in the wall when drilling. Continue to wrap the remaining part of the joint with the plumber's tape for 10~14 turns, then screw the base on the wall.

#### Step 3:



Adjust the cover to the base, then wrap the exposed part of the joint with the plumber's tape about 20~23 turns in total including step 2. (more is better), and fasten the tap to the end of the base.

#### Step 4:



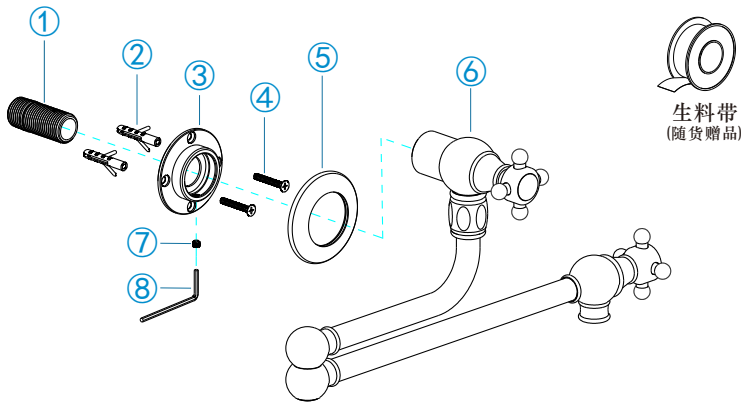
Remove the cover from the base and fix the small screw in the base to tighten the tap, then reset the cover on the wall. Installation complete.

# HIGH-QUALITY

## FAUCETS

# 安装指引

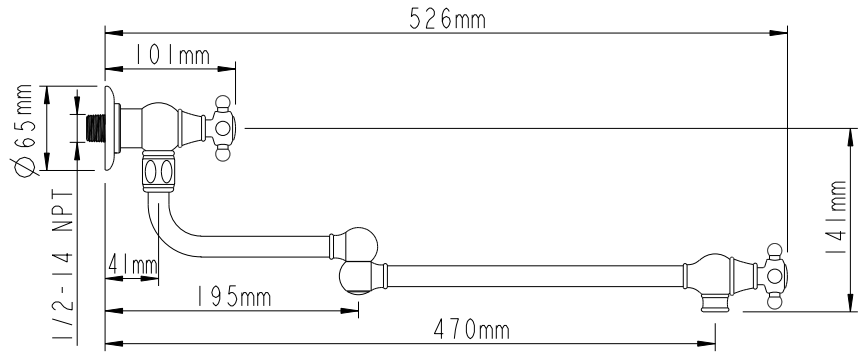
### 产品配件：



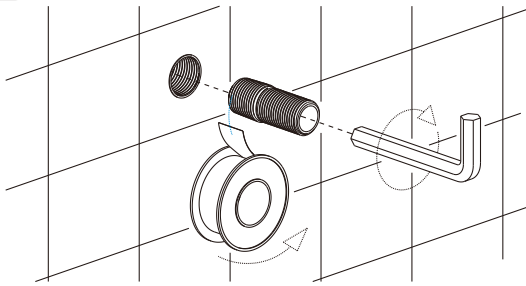
序号	配件名称
1	NPT转接头
2	塑料膨胀胶粒
3	底座
4	自攻螺丝
5	装饰座
6	水龙头主体
7	六角螺丝
8	六角匙

### 注意事项和产品尺寸：

1. 安装前检查所有配件和所需工具是否准备妥当。
2. 安装前确保水管内无杂物和有开关总阀。
3. 确保管网供水水压在20~125PSI之间。
4. 本安装指引之图片和内容可能与你购买的产品不一致，但产品之品质和性能均有质量保证。如果您安装上遇到困难，请联系专业的安装人员和供应商。
5. 如要长期离家，请出门前关闭供水总阀门。

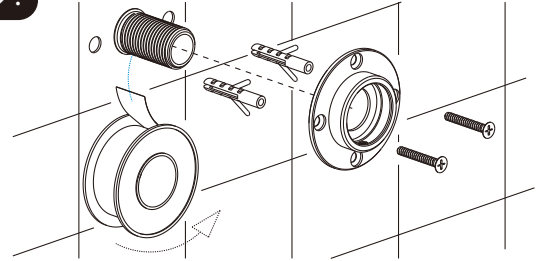


#### 第一步：



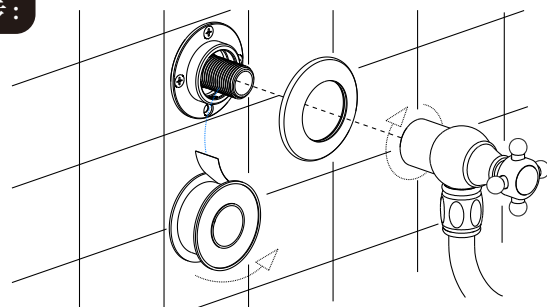
在NPT转接头较短一端上缠绕18~20圈生料带(多一点更好)，然后用10mm六角匙把NPT转接头与安装孔拧紧。

#### 第二步：



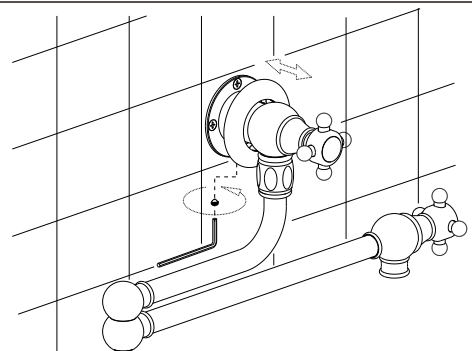
用6厘冲击钻头钻好底座安装孔，钻孔时注意避免破坏墙内的预埋水管和接头。接着在NPT转接头上预缠绕上10~14圈的生料带，然后用自攻螺丝和塑料膨胀胶粒把底座安装好。

#### 第三步：



把装饰座挂在底座上，然后在NPT转接头上缠上总数为20~23圈的生料带(含第二步预缠绕的圈数，缠多点更好)，然后把水龙头主体拧紧到NPT转接头上并尽量拧到底。

#### 第四步：



把装饰座从底座上扣开，用小六角螺丝把主体与底座锁紧，然后把装饰座压回墙上。安装完毕。