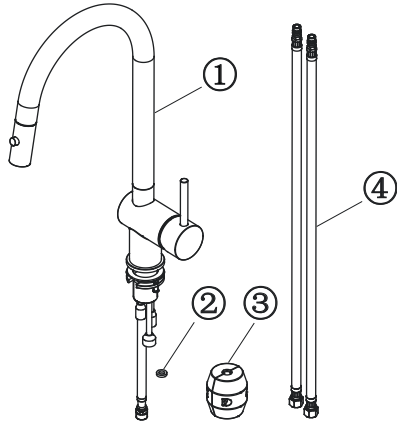


INSTALLATION GUIDE

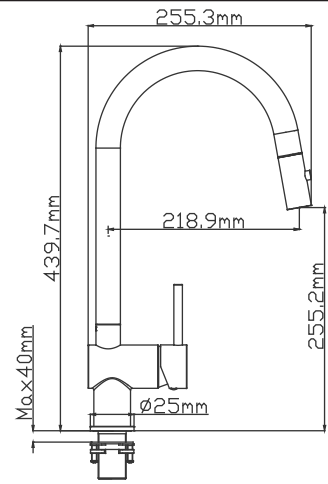
SERVICE PARTS:



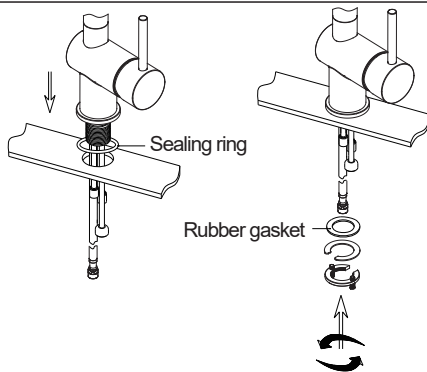
No.	DESCRIPTION
1	Faucet assembly
2	Sealing gasket
3	Gravity ball
4	Red and blue water inlet pipes

NOTES AND DIMENSIONS:

1. Please check that all components and tools are present.
2. Before installation ensure that all feed lines are clear of debris and on/off valve is present.
3. Ensure water pressure is between 20~125 PSI.
(includes combination of hot and cold feed lines)
4. Pictures in the manual are general in content and may not represent exactly your purchased faucet. If you are having difficulties please contact a professional plumber.
5. If you will be away from home for an extended period you should shut off the main water supply.

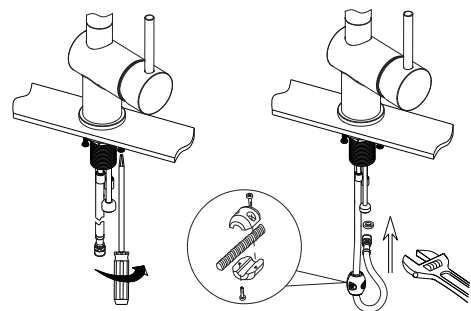


Step 1:



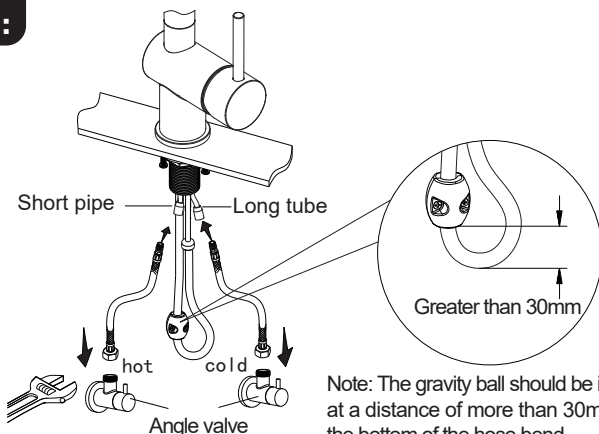
Pass the water pipe of the faucet assembly through the reserved hole on the countertop, and then screw in the fixing gasket and nut from the bottom of the countertop.

Step 2:



Use a cross-head screwdriver to tighten and fix the screw on the nut to secure the faucet assembly. Then, loosen the gravity ball screw and put it on the pull hose. Insert a sealing gasket into the copper tube hole. Use a wrench to screw in and tighten the pull hose joint.

Step 3:



Screw the red and blue water inlet pipes into two copper pipes respectively, then connect the water inlet pipe nuts to the cold and hot water inlet Angle valves and tighten them. Adjust the height of the gravity ball to a position more than 30mm away from the lowest point of the pull-out pipe, and fix it with a cross-head screwdriver to tighten the screws

Note: The gravity ball should be installed at a distance of more than 30mm from the bottom of the hose bend