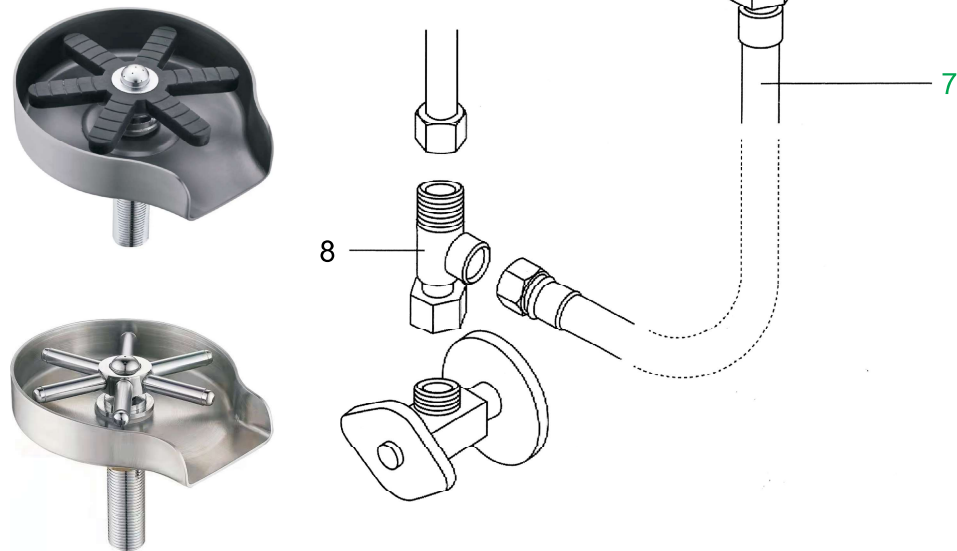


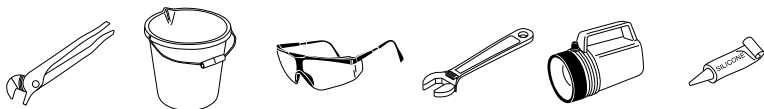
ASSEMBLY DIAGRAM



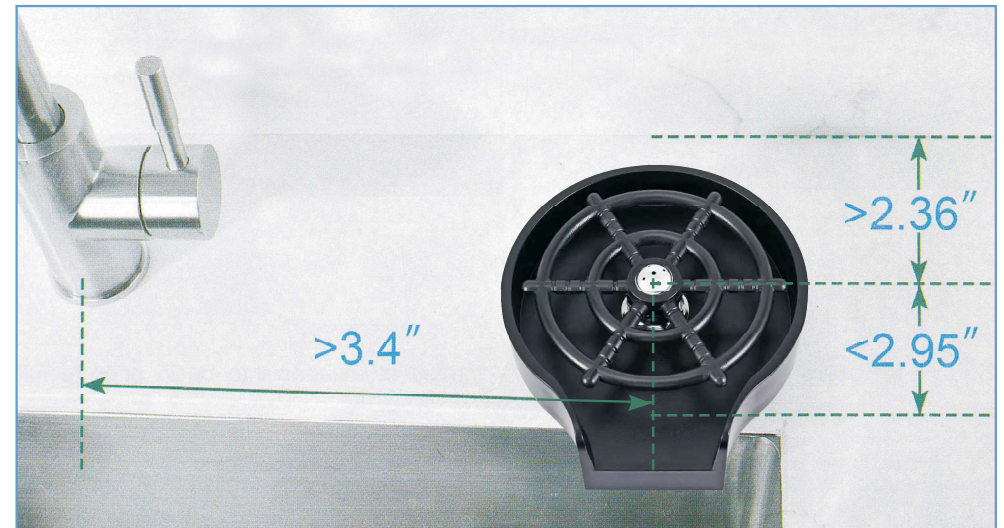
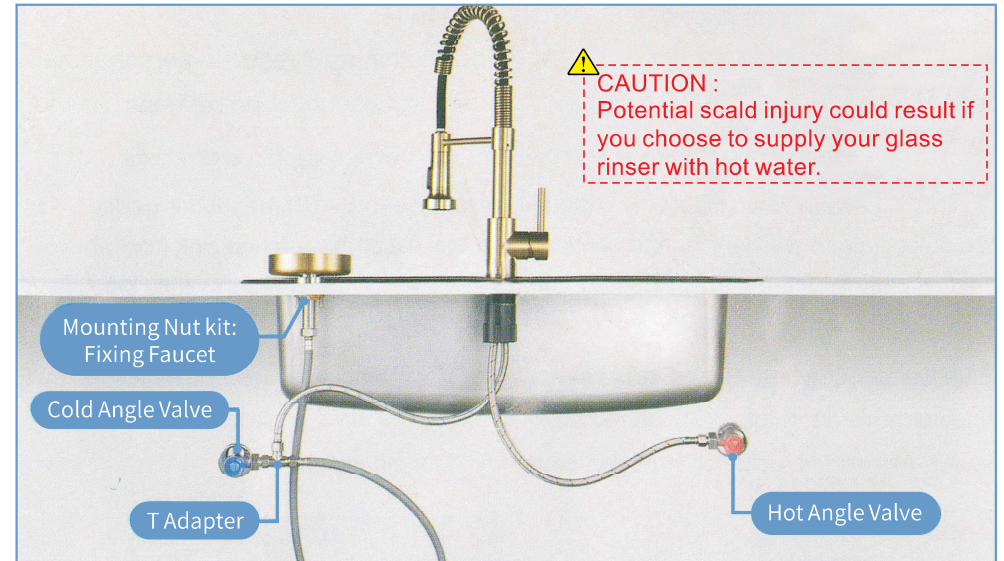
1. Actuator Arm
2. Slide Mounting Shank
3. Glass Rinser Base
4. Rubber Gasket
5. Support Washer
6. Mounting Nut
7. Supply Line
8. Tee Thread Connector



POSSIBLE TOOLS REQUIRED



IMPORTANT SIZE AND INSTALLATION



IMPORTANT:

Determine the installation position according to the actual situation.

At least 2.36 inch installation hole and backsplash. Otherwise, it cannot be installed.

At least 3.4 inch between faucet and installation hole. Otherwise, the handle of the faucet will collide with the glass rinser.

No more than 2.95 inch from installation hole to sink. Otherwise, the water cannot flow into the sink.

HOW TO INSTALL



Read all instructions prior to installation.

Failure to read these instructions prior to installation may result in personal injury, property damage, or product failure. Manufacturer assumes no responsibility for

BEFORE INSTALLATION: Turn off hot and cold water supplies at angle stops.

STEP 1: Slide mounting shank (2) through glass rinser base (3) the rubber gasket (4) and steel support washer (5) from above. Lower this assembly through sink from above. Ensure base is aligned with sink and outlet extends into basin prior to fully tightening mounting nut (6).

Align the locating features on the actuator arm (1) with those on the nozzle and press actuator arms firmly into place on nozzle, oriented so the arms angle downward from the center. As needed, actuator arms can be removed for cleaning.

STEP 2: Ensure base is aligned with sink and outlet extends into basin prior to fully tightening mounting nut(6), tightening the screw.

STEP 3: Determine whether you wish for your new glass rinser to be supplied by cold or hot water. Unthread existing faucet supply line from angle stop on the chosen side.

Tee thread connector provided (8) onto angle stop in place of the supply line that was disconnected in the previous step. Thread both the faucet supply line and the 9/16" end of provided supply line (7) to tee. Thread the 1/2" end of provided supply line to mounting shank (2). Wrench may be used on shank flats to avoid rotation. When supply line is installed, check alignment and retighten mounting nut. Wrench may be used on shank flats to avoid rotation.

STEP 4: Turn on both water supplies at angle stops and check for leaks at all connections made during this installation. If there are no leak, that's finished.



HOW TO INSTALL



CLEANING AND CARE

Care should be given to the cleaning of this product. Although its finish is extremely durable, it can be damaged by harsh abrasives or polish. To clean, simply wipe gently with a damp cloth and blot dry with a soft towel.